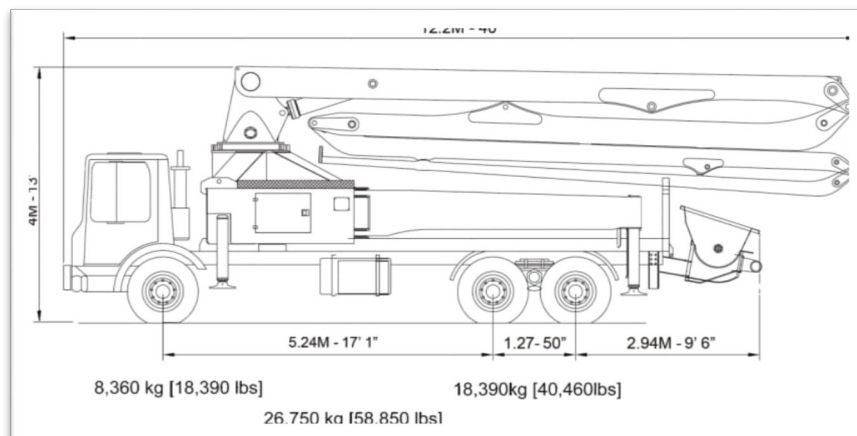


Yellow 38 Meter Z Boom Concord Concrete Pump

110 Feet Reach From Front Bumper

Pump Specifications	U.S.	Metric
Maximum Output	224 yd ³ /hr	170m ³ /hr
Strokes Per Min	30	30
Concrete Pressure(Rod)	1043 psi	72 Bar
Concrete Pressure(Head)	1600 psi	114 Bar
Maximum Aggregate Size	2.5"	65mm
Outrigger Rear Spread	24'	7.5m
Outrigger Front Spread	20' 8"	6.3m
Maximum Outrigger Weight	48,060lbs	21,800kg
Section Articulation	94/180/250/245	767 Total

Boom Specifications	U.S.	Metric
4 Section Boom- Vertical Reach	124'7"	38m
Delivery Line	5"	125mm
Maximum Horizontal Reach	111'8"	34m
Unfolding Height	28'7"	8.7m
Rotation	370 Degrees	370 Degrees
1 st Section	30' 2"	9.2m
2 nd Section	26'11"	8.2m
3 rd Section	27'3"	8.3m
4 th Section	27'8"	8.4m



Yellow 38 Meter Z Boom Concord Concrete Pump

110 Feet Reach From Front Bumper

