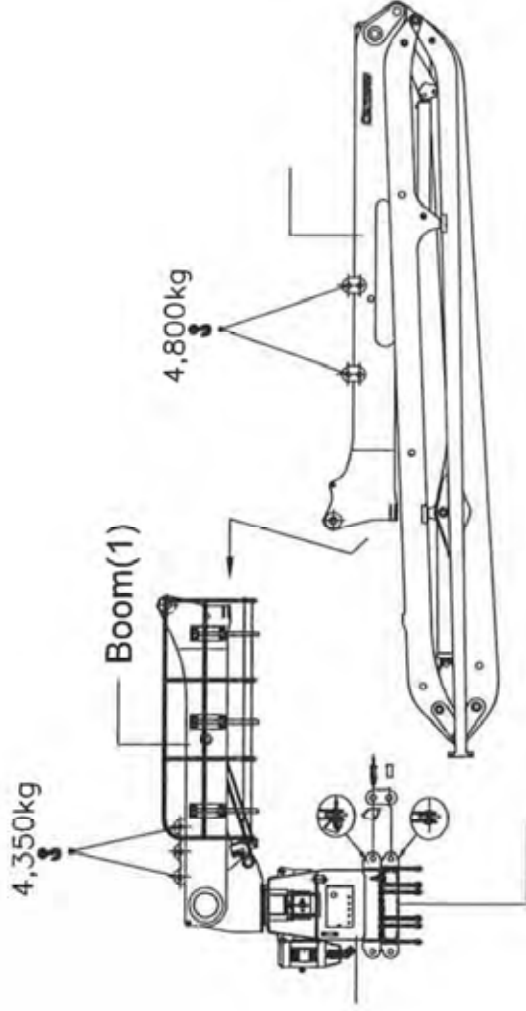


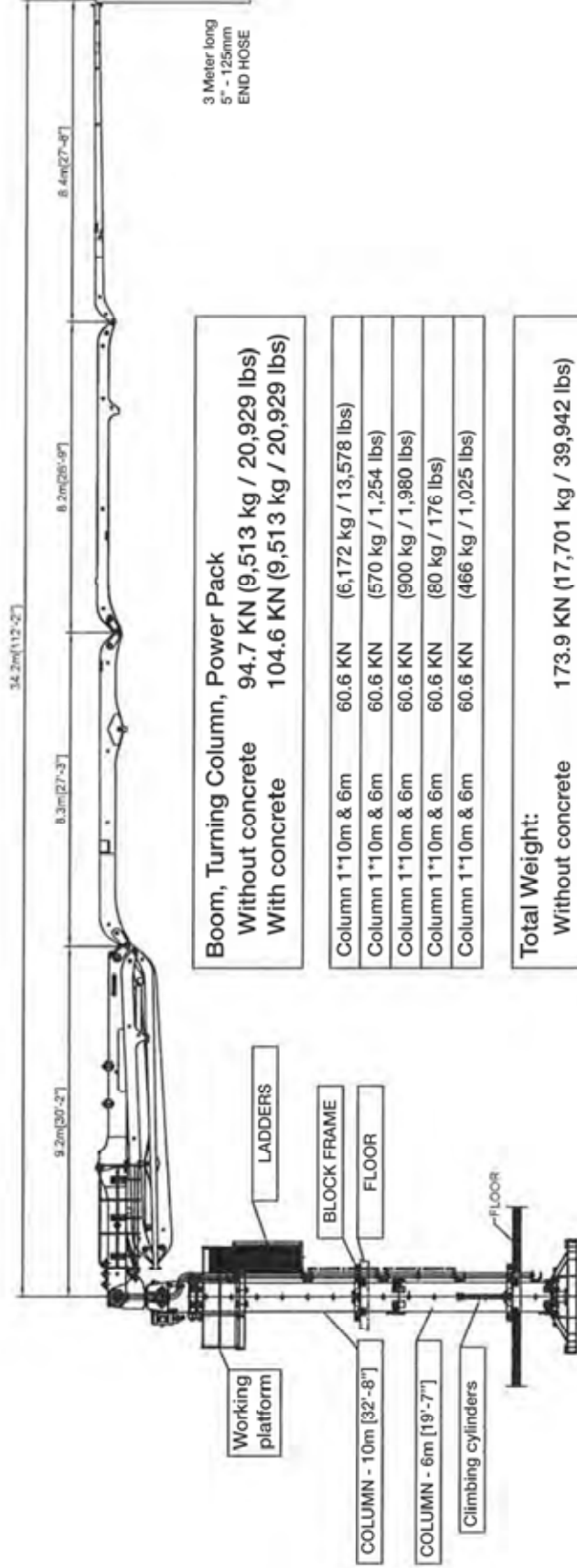
14	1	CLIMBING SYSTEM REMOTE CONTROL
13	1	CABLE REMOTE CONTROL
12	1	CROSS BASE (X-BASE)
11	3	BLOCK FRAME
10	1	CLIMBING CYLINDER
09	2	LADDER (2)
08	1	LADDER (1)
07	1	WORKING PLATFORM
06	1	MAST 10m [32'-8"] (SQUARE COLUMN)
05	1	ADAPTER
04	1	ELECTRIC MOTOR
03	1	ELECTRIC SYSTEM
02	1	TURNING BASE (POWER PACK)
01	1	OOM ASSY - WITH CONCRETE PIPE 5.5" & 3m END HOSE

Square Column Assembly



Weights	
Power Pack & Boom (1)	43.3 KN (4,350 kg / 9,570 lbs)
Boom (2)	47.9 KN (4,800 kg / 10,560 lbs)
Adapter & Pin	3.5 KN (363 kg / 799 lbs)
SUB TOTAL	4.7 KN (9,513 kg / 20,929 lbs)

Placing Boom with Counterweight



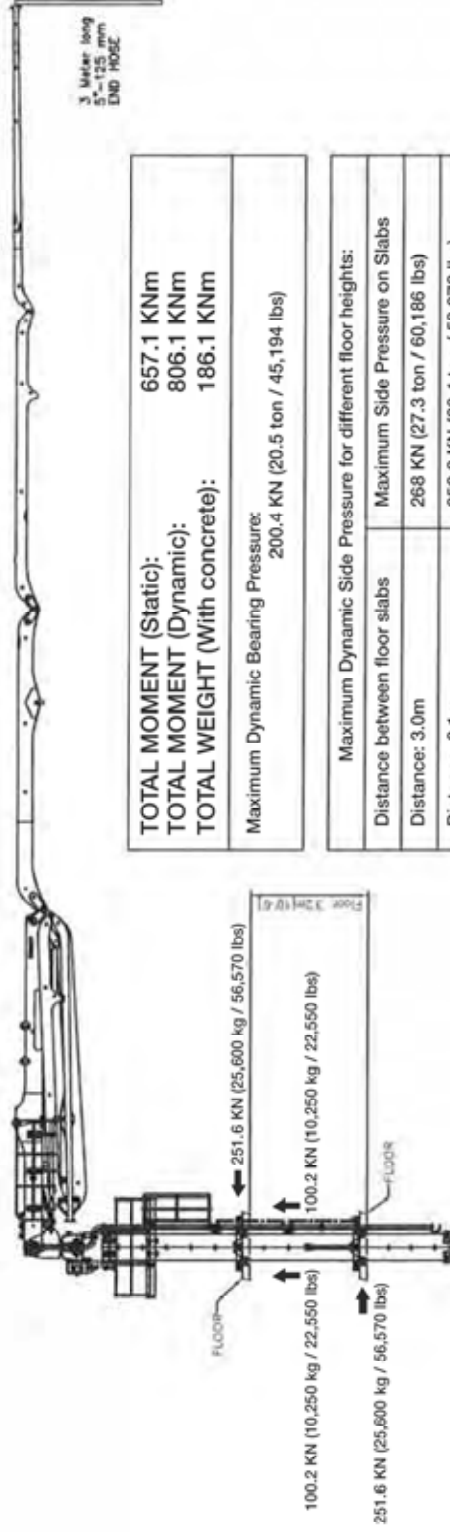
Boom, Turning Column, Power Pack	
Without concrete	94.7 KN (9,513 kg / 20,929 lbs)
With concrete	104.6 KN (9,513 kg / 20,929 lbs)

Column 1*10m & 6m	60.6 KN (6,172 kg / 13,578 lbs)
Column 1*10m & 6m	60.6 KN (570 kg / 1,254 lbs)
Column 1*10m & 6m	60.6 KN (900 kg / 1,980 lbs)
Column 1*10m & 6m	60.6 KN (80 kg / 176 lbs)
Column 1*10m & 6m	60.6 KN (466 kg / 1,025 lbs)

Total Weight:	
Without concrete	173.9 KN (17,701 kg / 39,942 lbs)
With concrete	185 KN (18,838 kg / 41,444 lbs)
Max Boom Moment (static):	
With concrete	656.4 KNm (66,818 kg / 146,999 lbs)

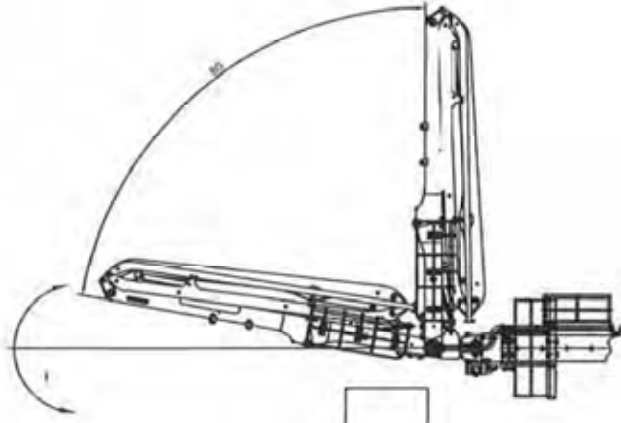
Boom Weight Moment

SELF CLIMBING BOOM
PRESSURE ON CONCRETE SLAB



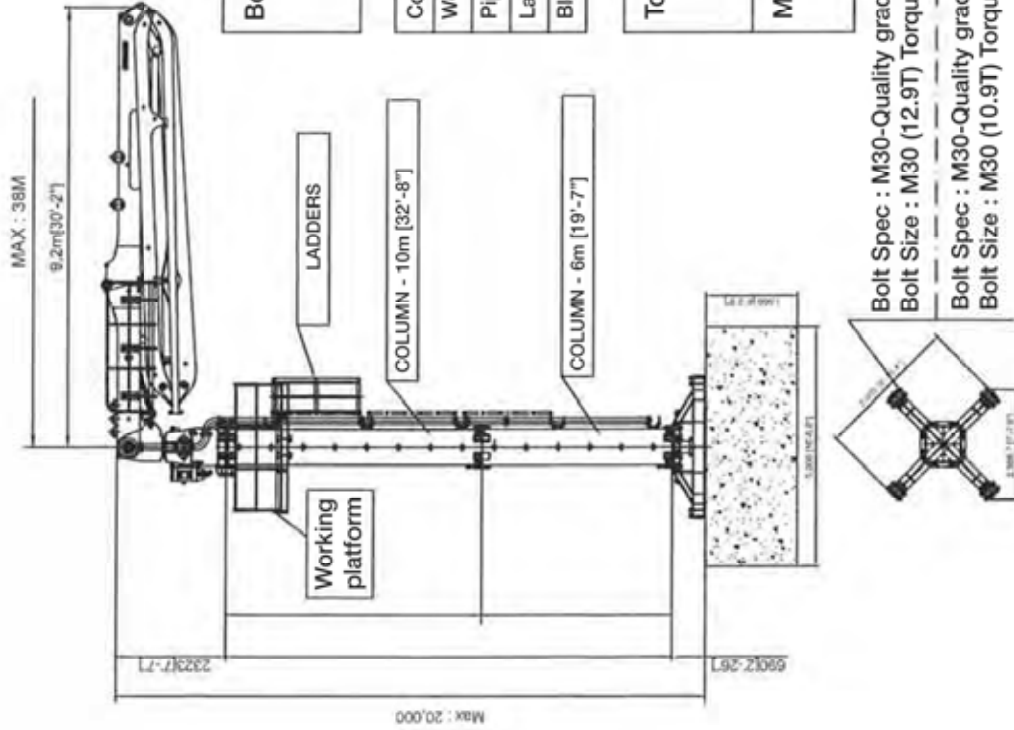
TOTAL MOMENT (Static):	657.1 KNm
TOTAL MOMENT (Dynamic):	806.1 KNm
TOTAL WEIGHT (With concrete):	186.1 KNm
Maximum Dynamic Bearing Pressure:	200.4 KN (20.5 ton / 45,194 lbs)

Maximum Dynamic Side Pressure for different floor heights:	
Distance between floor slabs	Maximum Side Pressure on Slabs
Distance: 3.0m	268 KN (27.3 ton / 60,186 lbs)
Distance: 3.1m	259.8 KN (26.4 ton / 58,378 lbs)
Distance: 3.2m	251.6 KN (25.6 ton / 56,570 lbs)
Distance: 3.3m	244 KN (24.9 ton / 54,895 lbs)
Distance: 3.4m	230 KN (23.5 ton / 51,808 lbs)



Boom Position at Self Climbing:
Total Moment: $M = 0$
Angle of Folded Boom:
Angle = 80 degree

Placing Boom with Counterweight



Boom, Turning Column, Power Pack
 Without concrete 94.7 KN (9,513 kg / 20,929 lbs)
 With concrete 104.6 KN (9,513 kg / 20,929 lbs)

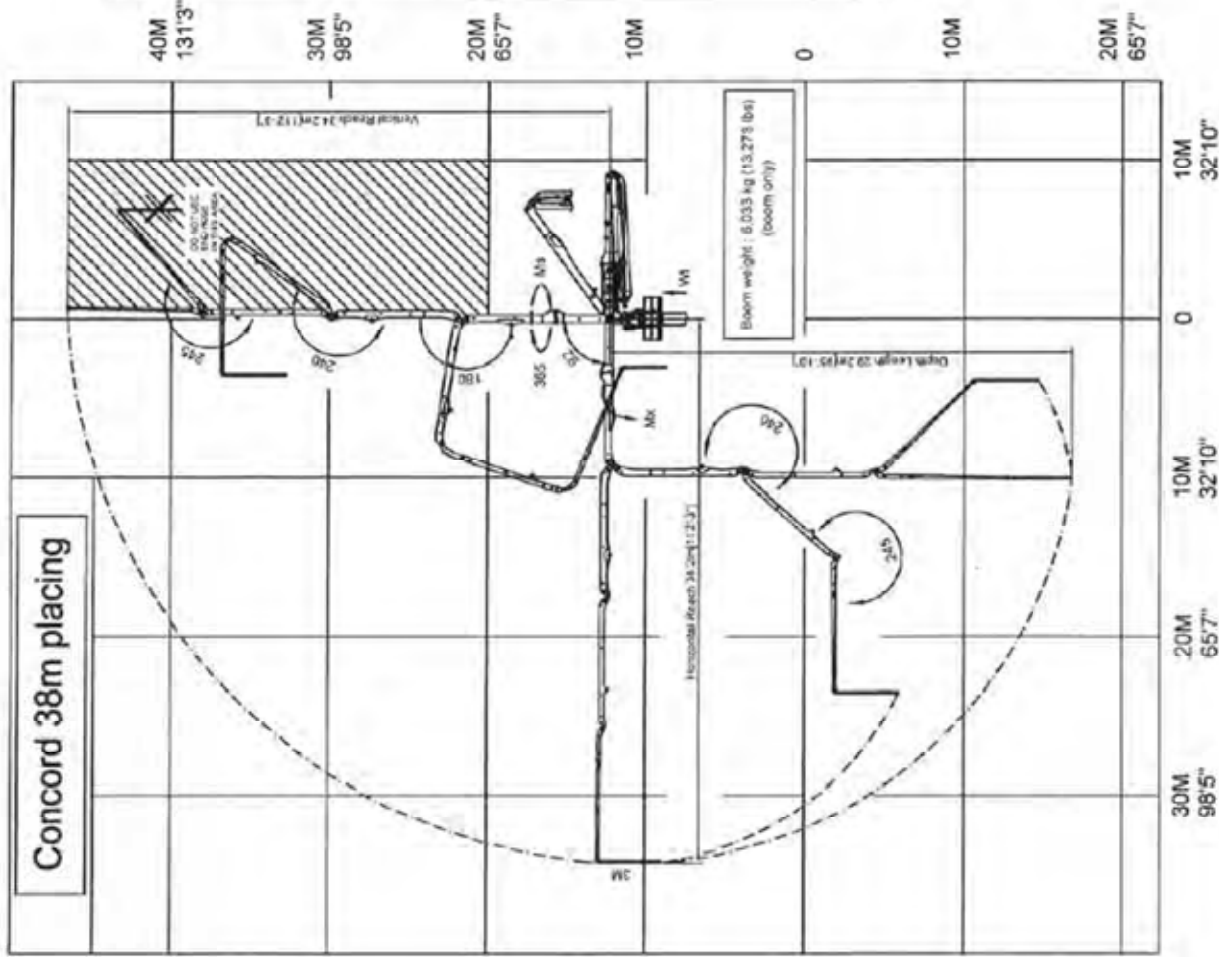
Column 1*10m & 6m	60.6 KN	(6,172 kg / 13,578 lbs)
Working Platform	5.6 KN	(570 kg / 1,254 lbs)
Pipe Line (in column 18m)	8.8 KN	(900 kg / 1,980 lbs)
Ladder *2	0.3 KN	(80 kg / 176 lbs)
Block frame *2	4.5 KN	(466 kg / 1,025 lbs)

Total Weight:
 Without concrete 173.9 KN (17,701 kg / 39,942 lbs)
 With concrete 185 KN (18,838 kg / 41,444 lbs)

Max Boom Moment (static):
 With concrete 656.4 KNm (66,818 kg / 146,999 lbs)

Bolt Spec : M30-Quality grade 12.9T
 Bolt Size : M30 (12.9T) Torque - 2,400 N.m
 Bolt Spec : M30-Quality grade 10.9T
 Bolt Size : M30 (10.9T) Torque - 2,000 N.m

Square Column Assembly



Boom	
Boom design	Roll-and-Fold
Horizontal reach	112 ft / 3 in (34.2m)
Reach depth	95 ft / 10 in (29.2m)
Stowed boom length	28 ft / 11 in (8.81m)
4-section boom	
1st section	30 ft / 2 in (9.2m)
2nd section	27 ft / 3 in (8.3m)
3rd section	26 ft / 9 in (8.2m)
4th section	27 ft / 8 in (8.4m)
Boom articulation	
1st section	92°
2nd section	180°
3rd section	240°
4th section	245°
General Specs	
Rotation	365°
Pipeline diameter	5 in (125mm)
Power	440V/60Hz/35amp
Control systems	Radio-Cable-Manual
Pump outputs	Can be used with any sized pump

Placing Boom Range